



AL KAABI

Contracting & Trading Co. W.L.L.

TOUGH JOBS MADE EASIER

Check out our new addition!!!

CP 0222 - Demolition Pick

Very popular multipurpose picks, with good power-to-weight ratios and latch retainers for quick and easy change of steels. CP 0222 is available with inside or outside trigger. It is light and Slim but gives you a lot of power to do a wide range of applications such as demolition, heavy duty chipping and cutting operations

- High power to weight ratio
- Slim and compact design for easy handling
- High work rates
- Heat treated alloy steel components for durability
- "D" handle with inside trigger or outside trigger
- Latch retainer



CP 0222 retainer latch

CP 0222 CHIT handle

Model	Weight	length mm(in)	Blows per minute (bpm)	Air consumption l/S (cfm)	Air Inlet (in)	Retainer	Handle type	Chuck size mm (in)	Chuck orientation
CP 0222 CHIT	10 (22)	570(22.5)	19 (40)	1700	1/2" NPTF	Latch	"D" handle Inside trigger	H 22x82,5 (7/8x31/4)	Flat-to-flat



AL-KAABI CONT. & TRADG. CO. WLL
P. O. BOX : 550 - DOHA - QATAR

Email : kaabicontg@yahoo.com

Tel. Off. : 44329441, 44325741
Showroom : 44697265, 44697725
MOB : 55898467, 55898465
Visit Us : www.alkaabiqatar.com

Accessories - CP 0222

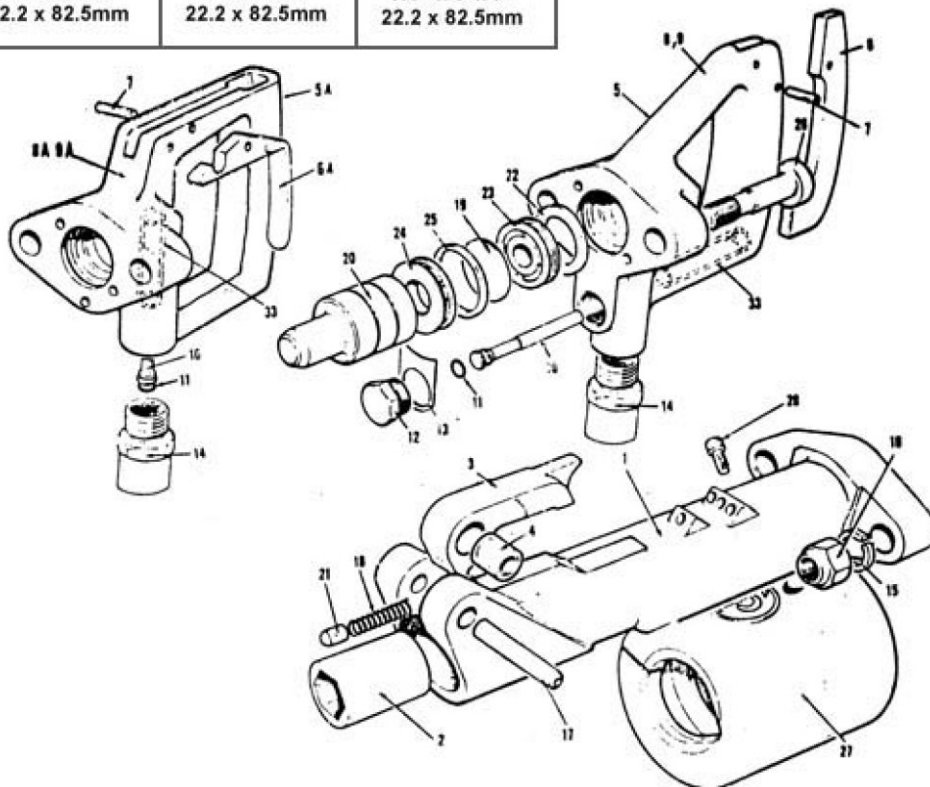
Point to flat

Hex 22x82,5 (7/8" x 3 1/4") for CP 0222

Description	Tip width mm (in)	Length mm (in)	Weight kg (lp)	Point to flat Part no.
Moil Point		380 (15)	1,5 (3.3)	3083 3242 00
		1000 (39)	4,5 (10)	3083 3243 00



P092246	P055464	P092256
HEAVY SPADE 7/8" x 3 1/4" 22.2 x 82.5mm	DIGGING TOOL 7/8" x 3 1/4" 22.2 x 82.5mm	PEG POINT 15" 7/8" x 3 1/4" 22.2 x 82.5mm



Index No.	CP Part No.	Description	No. Req'd
1	F815268	CYLINDER ASSY (INCL : INDEX NO. 2)	1
2	F813919	SLEEVE - TOOL	1
3	F815269	RETAINER-LATCH (INCL : INDEX NO.4)	1
4	F815174	BUSHING-LATCH	1
5	F815270	HANDLE-OUTSIDE TRIGGER (ASSY) (INCL : INDEX NOS. 6,7, & 8)	1
5A	F815276	HANDLE-INSIDE TRIGGER (ASSY) (INCL : INDEX NOS. 6A,7, & 8A)	1
6	F815161	LEVER-OUTSIDE TRIGGER	1
6A	F815167	LEVER-INSIDE TRIGGER	1
7	R133757	PIN-THROTTLE LEVER	2
8	F815160	HANDLE-OUTSIDE TRIGGER (INCL : INDEX NO. 7 & 33)	1
8A	F815166	HANDLE-INSIDE TRIGGER (INCL : INDEX NO. 7 & 33)	1
9	F815271	OUTSIDE TRIGGER HANDLE COMPLETE (INCL : INDEX NOS 6,7,8,10,12,13, & 14)	1
9A	F815852	INSIDE TRIGGER HANDLE COMPLETE (INCL : INDEX NOS.5A,6A,7,10, & 14)	1
10	F814812	VALVE-THROTTLE (INCL : INDEX No. 11)	1

Index No.	CP Part No.	Description	No. Req'd
11	P083071	O-RING (-011)	1
12	P814440	PLUG-THROTTLE VALVE (OUTSIDE TRIGGER)	1
13	F814582	WASHER-TAB	1
14	F35769	NIPPLE-AIR INLET BSP	1
14	F814130	NIPPLE-AIR INLET NPT	1
15	R000550	LOCKWASHER (5/8")	2
16	P081091	NUT-SELF LOCKING (5/8-18)	2
17	R133758	PIN-LATCH RETAINER (1/2" DIA. x 2 1/2")	1
18	R086982	SPRING-RETAINER LATCH PLUNGER	1
19	F012659	VALVE	1
20	F815015	PISTON	1
21	F813308	PLUNGER-LATCH	1
22	F813908	PAD-VALVE CASE PRELOAD	1
23	F814774	LID-UPPER VALVE CASE	1
24	F814775	LID-LOWER VALVE CASE	1
25	F814776	CASE-VALVE	1
26	F813911	BOLT-HANDLE	2
27	R141765	MUFFLER (INCL : INDEX NO. 28) (OPTIONAL)	1
28	P072446	SCREW-HEX SKT (1/4-28 x 5/8)	4
33	F813910	BUSHING-THROTTLE VALVE (REAM 1800-1815 AFTER ASSEMBLY)	1

All Threads Are Right Hand Unless Otherwise Specified

When ordering spare parts, give Name, Speed or Size, Model and Serial Number of the tool and Part Number and Description of each part desired.

For enquiries, please contact:

SALES DEPARTMENT
AL-KAABI CONT. & TRADG. CO. WLL
P. O. BOX : 550 - DOHA - QATAR

Tel. Off. : 44329441, 44325741
Showroom : 44697265, 44697725
Fax : 44416094
MOB : 55898467, 55898465

