

# maars | string 2

Create your environment



Create your environment

# 2 create an advanced working space

**To create the perfection of tomorrow.** To create a partitioning system that's ready for a workplace that has yet to be delivered. A system that offers the highest possible standard in terms of efficiency, economy, durability, versatility, working pleasure and aesthetic quality. Those were the requirements we set at Maars when we started developing a new partitioning system for 2006 and beyond.

Some time has passed since then. Time well spent by our designers and technicians. And the result is a partitioning system that more than fulfils these requirements. That unites a host of advantages, while any disadvantages have long since been consigned to the waste bin.

This is a product that was developed out of what was already a very successful partitioning system: Maars String. A system that we've taken to an even higher level. A perfect union of form and function. Simplicity and inventiveness to the power of two. We're proud to introduce you to String2. The new partitioning system from Maars.

**How beautiful can efficiency be?** Take one look at String2 and you know the answer: with this system, partitioning decorations are superfluous. String2 provides the beauty of simplicity. Take, for example, the ingenious 'flush' technique used to join the double glass of the 'Bi-blocks' to the steel frame.

Note the simple shadow joints between the panels and be surprised at the way in which the doors form one elegant unity with partitioning systems and doorposts.

But String2 also sets new standards in functionalism and ease of use. For example, the system can be 'clicked' together extremely easily. And it can be modified and extended just as easily. Or dismantled and re-erected elsewhere.

The system also stands out for its great stability and durability, thanks in part to partitioning systems that are just a bit thicker than usual. String2 is built to last. And it will look just as good in ten years' time as it does now.

Last but not least, String2 performs way above average when it comes to fire safety and acoustics. But that's pretty much what you would expect. After all, it's a Maars product.

2 combine beauty  
with efficiency





# 2 choose for maximum versatility

**More possibilities and fewer limitations.** Or, to use professional jargon, maximum modularity. That's what we were looking for at Maars when we developed the String2 partitioning system. And that's exactly what our designers and technical specialists have produced.

Create your environment





Create your environment





String2 has become a system that is endlessly versatile. In terms of sizes, lines and shapes but also when it comes to the materials used. And the way in which these materials can be combined to create a myriad of creative, playful but ever-stylish solutions.

For example, you might have a partitioning system with steel on one side and a synthetic material on the other. Or wood. Or fabric. You might want glass on the outside and perforated steel on the inside. In a colour of your choice. You ask and we 'click': that's the thinking behind the String2 system.

Actually, there is one limitation to String2. All the elements, all the materials, and all the parts in the system are available in one quality only. The best. Maars quality.

2 create an advanced working space

stri



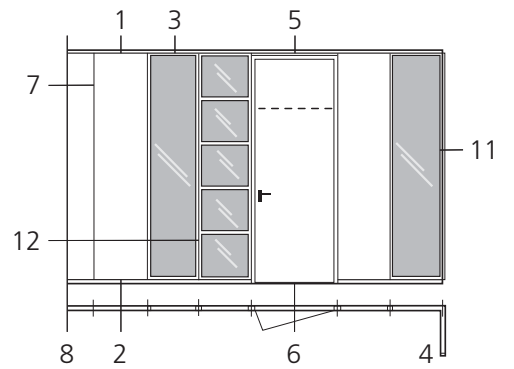
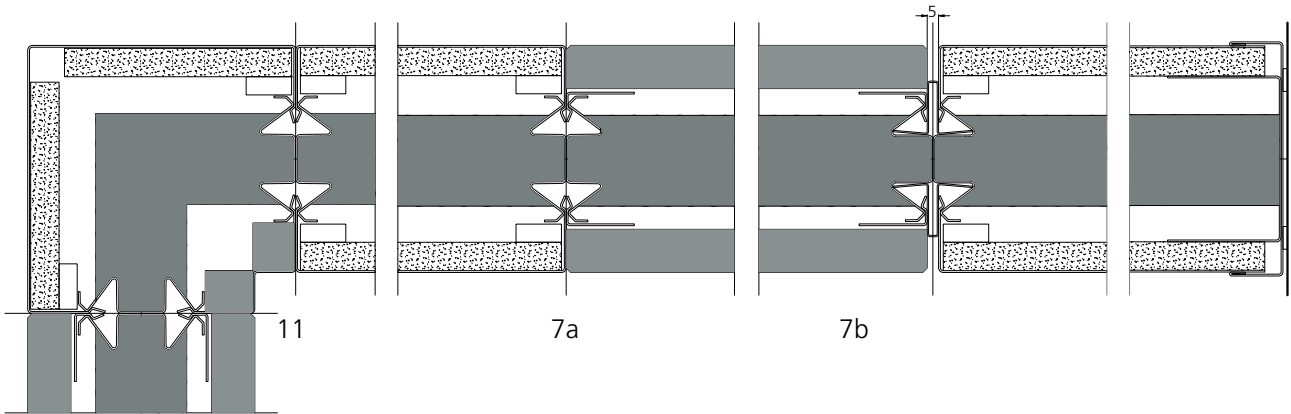
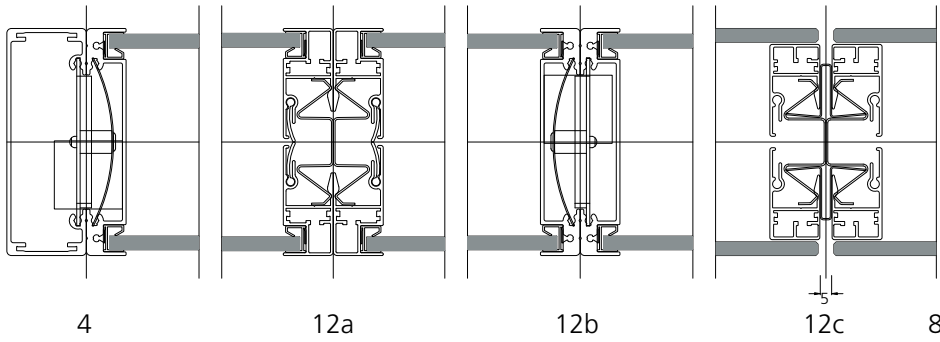
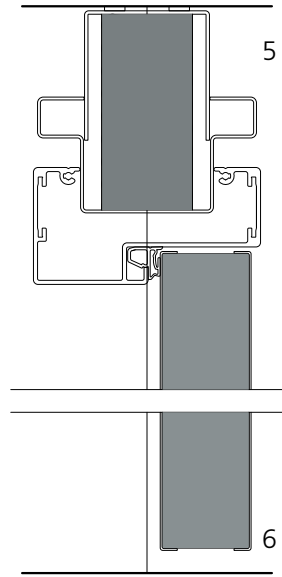
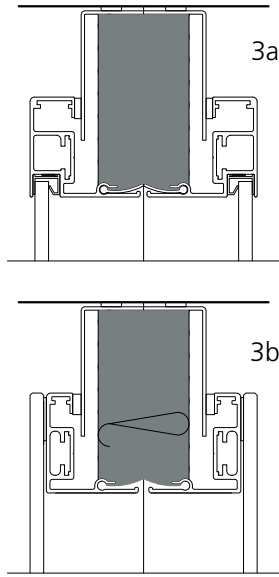
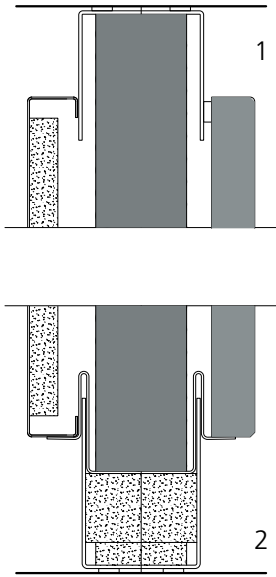
ng2

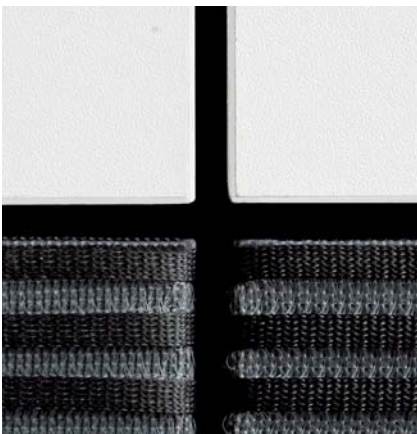
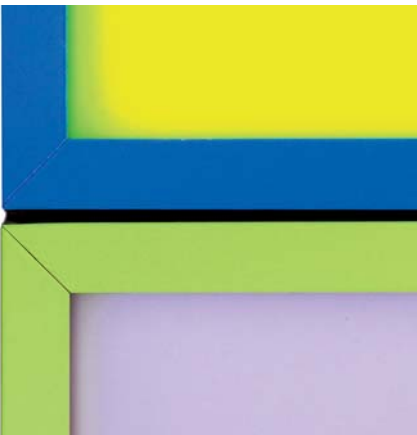


Create your environment

Create  
your  
environment







## Maars String2 partitioning systems

**PARTITION THICKNESS** The nominal partition thickness is 100 mm.

**CONSTRUCTION** The partition is built using a steel construction of special clamping-posts. By means of adjustable stepless cross-connections, the clamping-post construction allows almost any horizontal and/or vertical modulation to be achieved in which panels and frames can then be fitted.

**TRACKS** The steel base and upper tracks are recessed.

**PARTITION PANELS** Chipboard panels, laminated or veneered, approx. 18 mm thick are clipped to the underlying construction by means of a click strip. The cavity is filled with mineral wool. Metal finished panels are also available.

**MODULE LINKING** A horizontal joint of '0' or a 5 mm shadow joint between both partitioning panels and window and door frames are possible. All module linkages are logically executed in a clear click system.

**FRAMES** Aluminium Mono-block or Bi-block, double glazed and fitted with 4 mm and 6 mm glass as standard. A glass thickness of 8 mm is possible. The door frames are made of aluminium and are available in various versions.

**DOORS** A range of doors designed by Maars themselves in a wide variety of versions are available, such as hardened glass doors, 40 mm thick steel doors, partitioning-thickness doors in steel and glass, aluminium frame doors and sliding doors. Various doors are also available in fire-resistant and/or sound-resistant quality.

**DOOR FURNITURE** Loose-joint hinges: 3 system-linked loose-joint hinges per door frame in chromium-nickel finish. Lock: Lips 2500/16/U20 series, with a choice of fittings.

**FINISH** All visible metal partitioning system components are finished using an environmentally friendly powder-coat process in a choice of colours from the Maars selection of RAL colours. The finish is silk or textured. Other colours are available on request.

**SOUND INSULATION** In either closed or glazed versions, this type of partitioning system has a laboratory-measured sound insulation value of up to  $R_w=47\text{dB}$  in accordance with ISO 717-1. A report is available on request.

**FIRE RESISTANCE** In either closed or glazed versions, this type of partitioning system has also been tested as to fire-resistance for a duration of at least 30 minutes in accordance with EN 1364-1. A report is available on request.

We will be happy to discuss special versions of Maars String2 partitioning systems using different materials, special colours, sizes, finish, etc. and even physical performance. The Maars String2 system is very versatile. That's why we're sure that we can satisfy just about all your wishes.



String2 is a registered trademark of Maars Holding BV. Product details may be subject to change.



Create your environment

+31(0)341 46 52 11  
[www.maarsgroup.com](http://www.maarsgroup.com)